

## Mast lift (JLG 2646ES)

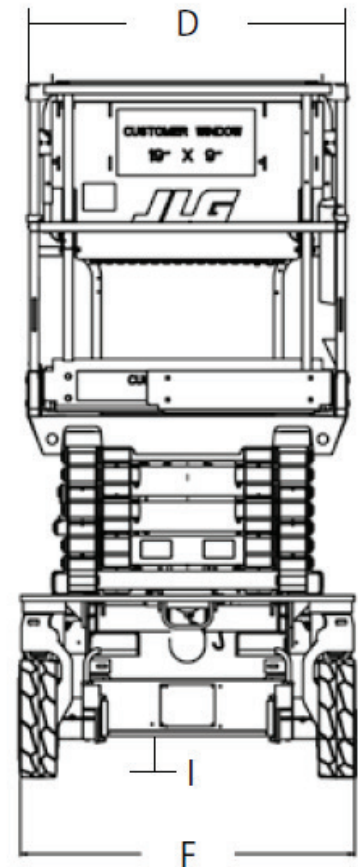
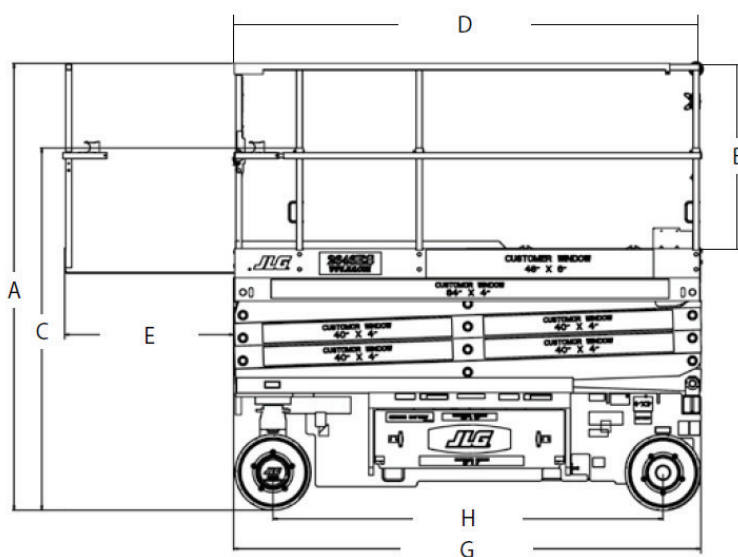
TECHNICAL DATA	
Working height	9.92m
Platform height - elevated	7.92m
A. Stowed height	2.39m
B. Platform railing height	1.10m
C. Stowed height (rails folded) <sup>1</sup>	2.01m
D. Platform size (W x L)	1.12m x 2.50m
E. Deck extension	1.27m
F. Overall width	1.17m
G. Overall length	2.50m
H. Wheelbase	2.09m
I. Ground clearance	0.13m
Platform capacity <sup>2</sup>	450kg
Capacity on optional deck extension	120kg
Lift / lower time	40 / 50 sec
Maximum drive height	7.92m
Machine weight <sup>3</sup>	2,740kg
Maximum ground bearing pressure	6.98kg/cm <sup>2</sup>
Drive speed (lowered)	4km/h
Gradeability	25%
Turning radius (inside)	Zero
Turning radius (outside)	2.41m

<sup>1</sup> Folding rails standard on all ES models in CE spec.

<sup>2</sup> Capacities shown are maximum with 2 persons indoor on all models.

Outdoor ratings are: 1930ES - 1 person / 120 kg ; 2030ES - 1 person / 160 kg ;

<sup>3</sup> Certain options or country standards may increase weight and/or dimensions.



### STANDARD FEATURES

- 1.27m roll-out deck extension
- Fold down handrails
- Half swing gate
- Removable platform console box
- Lanyard attach points
- Full proportional drive joystick control with integral thumb steer switch
- Proportional lift/lower speed control
- Joystick enable for lift and drive
- Load sensing system
- Automatic positive traction
- Dual motor direct electric front wheel drive & steer
- Dual wheel automatic brakes
- Emergency brake release
- Pothole protection system
- Emergency brake release
- AC cable to platform

When service matters.  
[hiredepot.com.au](http://hiredepot.com.au)

GLEN IRIS  
 70 High St  
 9885 4431

FAIRFIELD  
 323 Darebin Rd  
 9499 9955