

Product features & specifications

OPERATING PERFORMANCE		
Operating weight	2535lb	1150kg
Max. bucket breakout force	2518lb	1142kg
Max. arm digging force	1439lb	653kg
Arm length	2ft 10.6in	880mm
Slew speed	10.0rpm	
Traction force	2878lb	1305kg
Ground pressure	4.1psi	28.0 kPa
Max. travel speed	1890	1915
Low range	1.2mph	2km/hr
High range	2.3mph	3.7km/hr
HYDRAULIC		
Total hydraulic flow	5.9gal/min	22.2l/m
Auxiliary hydraulic flow	5.9gal/min	22.2l/m
System Operating Pressure	2680psi	18.2mpa
ENGINE		
Model / make	Kubota / D722-E4B	
Displacement	43.9 cu in	.72l
Horsepower @ 2,200	11.7hp	8.7kW
Max. torque @ 1,900rpm	26.4 ft-lb	35.8 Nm
FLUID CAPACITIES		
Engine lubrication	3.0qt	2.8l
Cooling system	4.2qt	4.0l
Fuel tank capacity	3.3gal	12.4l
Hydraulic reservoir capacity	2.3gal	9.0l
Hydraulic system capacity	4.0gal	15.0l

Dual side entry



Retractable undercarriage and blade

Minimal tail swing



Foldable ROPS

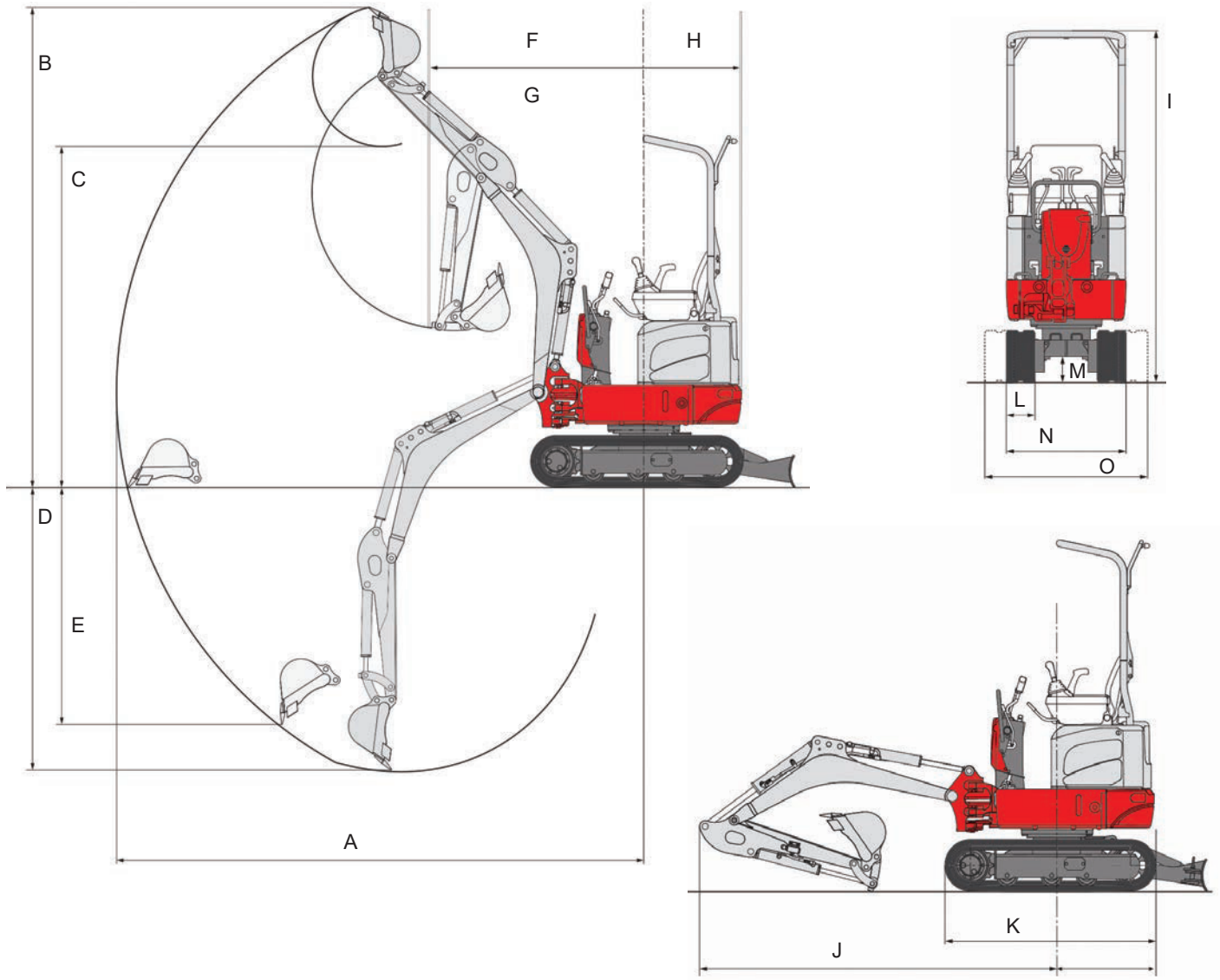
ALSO REFER TO:

1. Excavator hazard assessment sheet
2. Excavator operating procedure

RELATED ITEMS

- Post hole digger - 1 man
- Excavator with post hole digger
- Dingo with post hole digger
- Post hole digger - 2 man
- Post hole digger - manual
- Manual post hole cleaner
- Dingo with trencher
- Chain trencher
- Rock breaker
- Excavator 1.6 ton
- Excavator 3.5 ton
- Dingo
- Motorised wheelbarrow "muck truck"
- Trencher

TB210R EXCAVATOR (1.1 TON)



MACHINE DIMENSIONS			
A	Maximum reach	10ft 9.4in	3285mm
B	Maximum dig height	9ft 9.5in	2985mm
C	Maximum dump height	6ft 11.5in	2120mm
D	Maximum dig depth	5ft 9.1in	1755mm
E	Maximum vertical dig depth	4ft 10in	1475mm
F	Front swing radius	4ft 4in	1320mm
G	Front swing radius (offset)	3ft 2.5in	980mm
H	Tail swing radius	2ft 0in	610mm
I	Transport height	7ft 2.2in	2200mm
J	Transport length	9ft 8.3in	2955mm
K	Undercarriage length	4ft 4.2in	1325mm
L	Track width	7.1in	180mm
M	Ground clearance	6.2in	157mm
N	Track width retracted	29.5in	750mm
O	Track width extended	40.2in	1020mm

When service matters.
hiredepot.com.au

GLEN IRIS
 70 High St
 9885 4431

FAIRFIELD
 323 Darebin Rd
 9499 9955