

Liftwell screens

(Guide only)

TRANSPORTING, HANDLING AND STORING LIFTWELL SCREENS

1. Transport, store and move in collapsed state at all times.
2. Use correct lifting and carrying techniques at all times.
3. Collapse and fold enclosure components as numbered (see diagram a).
4. Secure in collapsed state with a wire tie.

OPERATING INSTRUCTIONS

1. Open out the enclosure.
2. Slide the lid into position, ensuring the lid interlocks with the supporting frame (see diagram b).
3. Position the enclosure over the liftwell opening.
4. Check the enclosure is square and securely fix enclosure to the supporting structure.

INSPECTION AND MAINTENANCE

Inspect the enclosure at the commencement of each shift:

- Check the lock is operational.
- Check the enclosure is securely fixed.
- Check all component parts are in place.
- Check that the door opens and closes correctly.
- Check the enclosure is free of damage and fully functional.

Follow site safety and hazard reporting procedures where deficiencies are identified.

Liftwell enclosures should be routinely inspected:

- Prior to installation.
- Following transport, movement or handling.
- Following an incident.

Note: Liftwell enclosures sustaining significant impact or damage should be returned for assessment, repair or decommissioning and disposal where relevant.

Diagram (a).

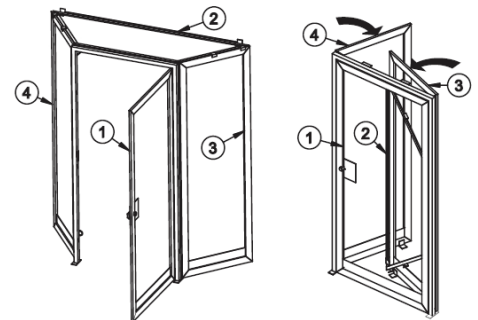
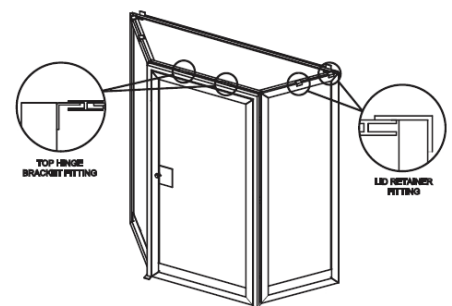


Diagram (b).



GENERAL SAFETY - INSTRUCTIONS FOR USE

1. Only authorised personnel should be issued with a key to a liftwell enclosure.
2. Access to liftwell enclosures should be by key entry only.
3. Ensure the door is closed after entering or leaving the liftwell enclosure. DO NOT chock or leave doors open at any time.
4. DO NOT modify, tamper with or use enclosure for any purpose other than guarding of liftwell openings.
5. Where possible, use materials handling equipment to move liftwell enclosure. Where enclosures must be manually handled, use 2 person lifting techniques.

This liftwell enclosure is for the specific purpose of safe guarding persons working in or around liftwell openings and should not be used for any other purpose or application.

MANDATORY PERSONAL PROTECTIVE EQUIPMENT



TROUBLESHOOTING

Problem	Possible solution

Do not under any circumstances attempt any repairs. Please call your local Hiredepot branch for assistance.

This operating and safety brochure is intended as a guide only for the safe operation of this equipment. It does not override license requirements nor is it a substitute for structured operating lesson. If you are unsure about any aspect of the equipment, its capabilities or the correct usage, please call our trained staff for instruction or any questions you may have regarding the safe operation of this equipment.

When service matters.
hiredepot.com.au

GLEN IRIS
70 High St
9885 4431

FAIRFIELD
323 Darebin Rd
9499 9955